



# Primary Resistance

## SERIES MP400

### Combined Manual and Automatic



Metron Fire Pump Controllers conform to the latest requirements of National Fire Protection Association's Standard for Centrifugal Fire Pumps as adopted by Underwriters Laboratories and Factory Mutual. They are short circuit withstand rated and listed by Underwriters Laboratories and approved by Factory Mutual Research Corporation.

Sizes range from 15 to 600 horsepower, 200 to 600 volts, 50 or 60 Hz. These controllers are for use on reduced voltage type installations.

Only the highest quality components, all UL listed or UL recognized, are used throughout to assure the best possible reliability. The cabinet is fabricated of heavy gauge reinforced steel with drip-proof hood. All field wiring and service connections may be made from the front, allowing the controller to be mounted flush against a wall.



*Controllers are completely wired, assembled, and tested at the factory before shipment and ready for immediate installation.*





## Standard and Optional Features



### Standard Features

- » NEMA Type 2 drip proof metal freestanding enclosure
- » Operator Interface Device (OID) with 4 lines by 20 character display with large character backlit Liquid Crystal Display (LCD) capable of being read in both direct sunlight or dark lighting conditions
- » 10 pushbuttons for easy screen navigation, LED lamp test, alarm reset, controller test and horn silencing
- » Removable labels to allow for easy field language changes
- » All controller settings are programmable through the OID. All features are enabled or disabled through the OID, no jumpers or external wires are needed allowing easy field modification
- » The system status data is displayed on the OID. The displayed items include: System pressure, Phase to Phase (AB, BC, AC) voltage, Phase current (A, B, C), Current time and date, System Events and Notifications such as Remote Start, Local Start etc., Number of starts, Total motor run hours, Time remaining on sequential motor start and motor stop timers, Status of automatic stop setting.
- » Auxiliary alarm functions displayed on the OID LCD screen
- » Audible horn with silence feature for silenceable alarms
- » Lamp test feature
- » Foreign languages selectable through the OID
- » Microprocessor based logic with real time/date clock capable of running a minimum of 14 days without AC power connected to controller
- » SD Memory card used to record pressure log, event and log, and auxiliary user programs. Pressure log is stored in separate comma delimited ASCII text files with each file containing data for one day. The SD card is removable and can be read by any PC equipped with an SD card reader.
- » Input and output status LED's provide visual indication of each discrete input's or output's on/off status
- » One RS485 Serial Port
- » MODBUS Communication Protocol via RS485 port
- » Service Entrance Rated

### Standard Auxiliary Alarms

The controller includes as standard six (6) discrete auxiliary inputs, nine (9) form 'C' auxiliary relay outputs. These auxiliary inputs and outputs are in addition to those mandated by NFPA 20. All auxiliary inputs, outputs, and OID Display can be field programmed through the OID.

Nine (9) of the following auxiliary alarms can be programmed and recorded in the event/alarm logs and annunciated on the OID display screen and/or output relay contact(s). These alarm conditions include:

- |                            |                       |
|----------------------------|-----------------------|
| LOW PUMP ROOM TEMP         | LOW PURGE PRESSURE    |
| RESERVOIR LOW              | LOW GEAR OIL PRESSURE |
| RESERVOIR EMPTY            | HIGH GEAR OIL TEMP    |
| RESERVOIR HIGH             | GAS DETECTION         |
| FLOW METER ON              | HIGH VIBRATION        |
| RELIEF VALVE OPEN          | EMERGENCY POWER ON    |
| LOW SUCTION PRESSURE       | PUMP ROOM DOOR OPEN   |
| LOW FIREWATER PRESSURE     |                       |
| HIGH PUMP ROOM TEMPERATURE |                       |





## Standard and Optional Features

### Data Logging

The controller includes two (2) separate data logs for storing system data that is readable through the OID or copied to a computer equipped with an SD card reader. The 2 data logs are as follows:

**Pressure Log:** The pressure log provides a continuous pressure record for 30 days. The pressure log samples shall be time and date stamped and stored in permanent non-volatile SD memory card. The pressure log can be searched by each sample, by minute, or by hour through the OID.

**Event Log:** The event log will store up to 300 of the most current events. These events can include, but is not limited to, any of the following events/alarms:

- PUMP RUNNING
- POWER AVAILABLE
- PHASE REVERSAL
- MOTOR OVERLOAD
- REMOTE START
- LOCAL START
- PUMP ON DEMAND
- SYSTEM FAULT
- PRESSURE TRANSDUCER FAULT
- PUMP FAILED TO START
- LOW INTAKE SHUTDOWN ALARM
- SUPERVISORY POWER FAILURE
- LOW PRESSURE
- AUTO WEEKLY TEST START
- UNDER FREQUENCY
- OVER FREQUENCY
- LOW ZONE/ HIGH ZONE CONTACTS
- HIGH DISCHARGE PRESSURE
- NO LOAD CONDITION

### Model Number Designation

**Example: MP400-H-75-480C**

**MP400** -- Model Type

**X** -- Option Designation(s)

**-XXX** -- Horsepower Rating: 15-600

**-XXX** -- Voltage Rating: 200-600 VAC

**X** -- Withstand Rating: B - 22,000 (@575 VAC) 50,000 (200-480 VAC)  
C - 100,000 (200-480 VAC)

**Information required with order:** 1) Model Type 2) Motor Horsepower 3) Line Voltage, phase and frequency 4) Options, if any (complete description)

### Options

#### Option H: Space Heater

If the ambient atmosphere is especially damp, a space heater rated at 100 watts may be supplied to reduce moisture in the cabinet. A thermostat is supplied as standard with this option. A humidistat may be substituted if specified.

#### Option W: Omit Legs

For systems where the controller is mounted on a common skid with the pump and motor, the legs of the controller may be omitted, 3" (76.2mm) channels or wall mounting brackets can be supplied. If specified, lifting eyes may also be supplied.

#### Enclosure

The following NEMA type enclosures are also available: 3R, 4, 4X (Painted Cold Rolled Steel), 4X (304 or 316 Stainless Steel), and 12.

Consult factory for additional options.

### Standard Withstand Ratings

VOLTS	HP -- RMS SYMMETRICAL
200-208	15-150 -- 100kA
220-240	15-200 -- 100kA
380-415	15-300 -- 100kA
460-480	15-400 -- 100kA
200-208	200-250 -- 50kA
220-240	250-300 -- 50kA
380-415	350-350 -- 50kA
460-480	500-600 -- 50kA
550-600	15-400 -- 22kA





## Specifications

### General Controller Description

The Fire Pump Controller shall be factory assembled, wired and tested as a unit and shall conform to all requirements of the latest edition of NFPA 20 and by Third Party Listed by Underwriters Laboratories (UL) and Approved by Factory Mutual (FM). The controller shall be available for 208, 230, 380-415, 480, or 575-600 volt three phase power.

### Controller Equipment Features

The controller shall include the following standard features:

- » NEMA Type 2 drip proof metal freestanding enclosure
- » Operator Interface Device (OID) with 4 lines by 20 character display with large character backlit LCD capable of being read in both direct sunlight or dark lighting conditions
- » 10 pushbuttons for easy screen navigation, system test, lamp test, alarm reset, and horn silencing
- » Multicolored LED's for alarm and mode annunciation
- » LEDs shall be labeled with removable labels to allow for easy field modification of language changes
- » All controller settings shall be programmable through the OID and shall be protected by two password levels
- » All features shall be enabled or disabled through the OID, no jumpers or external wires shall be needed or allowed to activate or deactivate a feature
- » The system status data shall be displayed on the OID. The displayed items shall include: System pressure, Phase to Phase (AB, BC, AC) voltage, Phase current (A, B, C), System Events and Notifications, Current time and date, Number of starts, Total motor run hours, Displayed countdown timers for: Sequential motor start and motor stop, Status of Automatic Stop Setting.
- » Audible horn with silence feature for silencable alarms
- » Lamp test feature
- » Foreign languages selectable through the OID
- » One RS485 Serial Port
- » MODBUS Communication Protocol via RS485 port
- » All wiring terminals on PCB's shall be removable type
- » Service Entrance Rated

- » Microprocessor based logic with real time/date clock capable of running a minimum of 14 days without AC power connected to controller and non-volatile flash memory to permanently store the continuous pressure log, event log, alarm log and all user changeable set points and system data. Battery backup of any kind not allowed.
- » Input and output status LED's to provide visual indication of each discrete input's or output's on/off status

### Auxiliary Alarms

As standard the controller shall include 6 discrete auxiliary inputs, 9 form 'C' auxiliary relay outputs. These auxiliary inputs and outputs are in addition to those mandated by NFPA 20. All auxiliary inputs, outputs, and OID screens shall be field programmable through the OID. This permits a multitude of customizable controller configurations to meet each installations unique needs without adding cost to the controller. The use of jumpers, soldering, or other external components are not allowed.

The user can select any 9 of the following auxiliary alarms that can be programmed and recorded in the event log and annunciated with an OID screen and output relay contact for conditions such as but not limited to:

- LOW PUMP ROOM TEMP
- RESERVOIR LOW
- RESERVOIR EMPTY
- RESERVOIR HIGH
- FLOW METER ON
- RELIEF VALVE OPEN
- LOW SUCTION PRESSURE
- HIGH PUMP ROOM TEMPERATURE
- LOW FIREWATER PRESSURE
- LOW PURGE PRESSURE
- LOW GEAR OIL PRESSURE
- HIGH GEAR OIL TEMPERATURE
- GAS DETECTION
- HIGH VIBRATION
- EMERGENCY POWER ON
- PUMP ROOM DOOR OPEN

### Data Logging

The controller shall have separate data logs for storing system data that is readable through the OID.

**Pressure Log:** The controller shall have a Pressure log with continuous pressure recording of 30 days of data. The pressure log samples shall be time and date stamped and stored on a removable SD card memory. The pressure log shall be searchable by each sample, by minute, or by hour. Each days entries shall be stored in a separate file on the SD card. SD memory shall be readable by any PC equipped with an SD memory card reader.

**Event Log:** The event log shall be capable of storing no less than 3000 events. These events shall include, but is not limited to, any of the following events/alarms:

- PUMP RUNNING
- POWER AVAILABLE
- PHASE REVERSAL
- MOTOR OVERLOAD
- REMOTE START
- LOCAL START
- PUMP ON DEMAND
- SYSTEM FAULT
- PRESSURE TRANSDUCER FAULT
- PUMP FAILED TO START
- LOW INTAKE SHUTDOWN ALARM
- SUPERVISORY POWER FAILURE
- LOW PRESSURE
- AUTO WEEKLY TEST START
- UNDER FREQUENCY
- OVER FREQUENCY
- LOW ZONE / HIGH ZONE CONTACTS
- HIGH DISCHARGE PRESSURE
- NO LOAD CONDITION

Each event or alarm recorded in the event log shall have the following data recorded with the event/alarm:

- Time and Date of Event or Alarm
- System Pressure
- Descriptive Text Message of the Event/ Alarm
- Motor Running Status
- Phase to Phase Volts
- Phase Amps

The internal logic of the controller shall be capable of operation in a temperature range of 4.4°C to 50°C and high, non-condensing, humidity levels.

Controllers shall be manufactured by Metron - A Division of Hubbell Industrial Controls, Inc.

[www.metroninc.com](http://www.metroninc.com)



Hubbell Industrial Controls, Inc. • 4301 Cheyenne Dr., Archdale, NC 27263  
PH: 336-434-2800 • FAX: 336-434-2801 • Email: [salesmail@metroninc.com](mailto:salesmail@metroninc.com)





## Automatic Transfer Switches

# SERIES MTS For Electric Motor Driven Fire Pumps



MP435 Fire Pump Controller with Automatic Transfer Switch

Metron MTS Automatic Transfer Switch provides operation of electric fire pump motors from an alternate source of power when the normal source fails. They may be used with any Metron electric fire pump controller— Across the Line, Primary Resistance, Part Winding, Wye-Delta, Auto Transformer or Solid State Reduced Voltage Types. These transfer switches are an integral part of the fire pump controller. They are factory assembled, shipped and installed as a part of the controller.

The combination fire pump controller/transfer switch is listed by Underwriters Laboratories, Factory Mutual, and meets all the latest requirements of NFPA's Standard for Installation of Centrifugal Fire Pumps.

The MTS Automatic Transfer Switch is a mechanically held double throw switch with a fast acting drive mechanism. Operating coils are momentarily energized from the source to which the load is being transferred. The switch is interlocked electrically and mechanically to prevent both services from feeding the load at the same time. The transfer switch is capable of manual (non-electrical) operation.

Under voltage sensing devices are supplied which monitor each phase of normal service. When the voltage of any phase falls below the pre-set level the transfer switch automatically transfers to the alternate source. Voltage and frequency sensing devices are provided to monitor one phase of the alternate source and will inhibit transfer to the alternate source until adequate voltage and frequency are available.

The transfer switch provides a special circuit that de-energizes the motor control circuit five (5) second prior to transfer in either direction to prevent high current transients due to an out-of-phase condition between the motor and the source to which it is being connected.

A contact is provided to actuate the engine starting circuit when normal source fails. To prevent false starts, a time delay (factory set at 1/2 to 3 seconds) is provided between normal source failure and actuation of the engine start contact.

An isolation switch ahead of the alternate source input terminals of the transfer switch is provided. When the switch is opened, auxiliary contacts in the generator start circuit prevent starting if commanded to by the transfer switch. An additional auxiliary contact on the isolation switch is provided for remote annunciation of isolation switch position.

An adjustable time delay (0-30 min.) prevents restoration to normal service for a preset period of time to assure normal line stabilization. An auxiliary N.O. contact is provided for remote annunciation of transfer to emergency. This contact is operated by the transfer mechanism as a direct indication of switch position. Pilot lights for indication of Switch in Normal position, Switch in Emergency position, and Emergency Isolation Switch in Off. Audible indication of Emergency Isolation Switch in Off is also included.

A test switch is also provided which simulates loss of normal power so that the transfer switch operation can be checked without interrupting normal service to the fire pump controller.





## Specifications

### Controller Equipment Features

The controller shall include the following standard features:

- » NEMA Type 2 drip proof metal freestanding enclosure
- » Operator Interface Device (OID) with 4 lines by 20 character display with large character backlit LCD capable of being read in both direct sunlight or dark lighting conditions
- » 10 pushbuttons for easy screen navigation, system test, lamp test, alarm reset, and horn silencing
- » Multicolored LED's for alarm and mode annunciation
- » LEDs shall be labeled with removable labels to allow for easy field modification of language changes
- » All controller settings shall be programmable through the OID and shall be protected by two password levels
- » All features shall be enabled or disabled through the OID, no jumpers or external wires shall be needed or allowed to activate or deactivate a feature
- » The system status data shall be displayed on the OID. The displayed items shall include: System pressure, Phase to Phase (AB, BC, AC) voltage, Phase current (A, B, C), System Events and Notifications, Current time and date, Number of starts, Total motor run hours, Displayed countdown timers for: Sequential motor start and motor stop, Status of Automatic Stop Setting.
- » Audible horn with silence feature for silencable alarms
- » Lamp test feature
- » Foreign languages selectable through the OID
- » One RS485 Serial Port
- » MODBUS Communication Protocol via RS485 port
- » All wiring terminals on PCB's shall be removable type
- » Service Entrance Rated

- » Microprocessor based logic with real time/date clock capable of running a minimum of 14 days without AC power connected to controller and non-volatile flash memory to permanently store the continuous pressure log, event log, alarm log and all user changeable set points and system data. Battery backup of any kind not allowed.
- » Input and output status LED's to provide visual indication of each discrete input's or output's on/off status

### Auxiliary Alarms

As standard the controller shall include 6 discrete auxiliary inputs, 9 form 'C' auxiliary relay outputs. These auxiliary inputs and outputs are in addition to those mandated by NFPA 20. All auxiliary inputs, outputs, and OID screens shall be field programmable through the OID. This permits a multitude of customizable controller configurations to meet each installations unique needs without adding cost to the controller. The use of jumpers, soldering, or other external components are not allowed.

The user can select any 9 of the following auxiliary alarms that can be programmed and recorded in the event log and annunciated with an OID screen and output relay contact for conditions such as but not limited to:

- LOW PUMP ROOM TEMP
- RESERVOIR LOW
- RESERVOIR EMPTY
- RESERVOIR HIGH
- FLOW METER ON
- RELIEF VALVE OPEN
- LOW SUCTION PRESSURE
- HIGH PUMP ROOM TEMPERATURE
- LOW FIREWATER PRESSURE
- LOW PURGE PRESSURE
- LOW GEAR OIL PRESSURE
- HIGH GEAR OIL TEMPERATURE
- GAS DETECTION
- HIGH VIBRATION
- EMERGENCY POWER ON
- PUMP ROOM DOOR OPEN

### Data Logging

The controller shall have separate data logs for storing system data that is readable through the OID.

**Pressure Log:** The controller shall have a Pressure log with continuous pressure recording of 30 days of data. The pressure log samples shall be time and date stamped and stored on a removable SD card memory. The pressure log shall be searchable by each sample, by minute, or by hour. Each days entries shall be stored in a separate file on the SD card. SD memory shall be readable by any PC equipped with an SD memory card reader.

**Event Log:** The event log shall be capable of storing no less than 3000 events. These events shall include, but is not limited to, any of the following events/alarms:

- PUMP RUNNING
- POWER AVAILABLE
- PHASE REVERSAL
- MOTOR OVERLOAD
- REMOTE START
- LOCAL START
- PUMP ON DEMAND
- SYSTEM FAULT
- PRESSURE TRANSDUCER FAULT
- PUMP FAILED TO START
- LOW INTAKE SHUTDOWN ALARM
- SUPERVISORY POWER FAILURE
- LOW PRESSURE
- AUTO WEEKLY TEST START
- UNDER FREQUENCY
- OVER FREQUENCY
- LOW ZONE / HIGH ZONE CONTACTS
- HIGH DISCHARGE PRESSURE
- NO LOAD CONDITION

Each event or alarm recorded in the event log shall have the following data recorded with the event/alarm:

- Time and Date of Event or Alarm
- System Pressure
- Descriptive Text Message of the Event/ Alarm
- Motor Running Status
- Phase to Phase Volts
- Phase Amps

The internal logic of the controller shall be capable of operation in a temperature range of 4.4°C to 50°C and high, non-condensing, humidity levels.

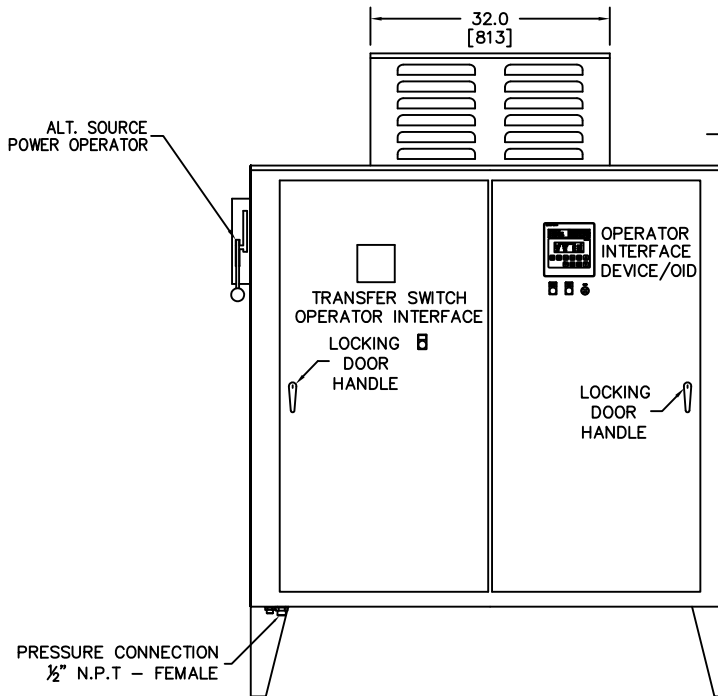
Controllers shall be manufactured by Metron - A Division of Hubbell Industrial Controls, Inc.

[www.metroninc.com](http://www.metroninc.com)

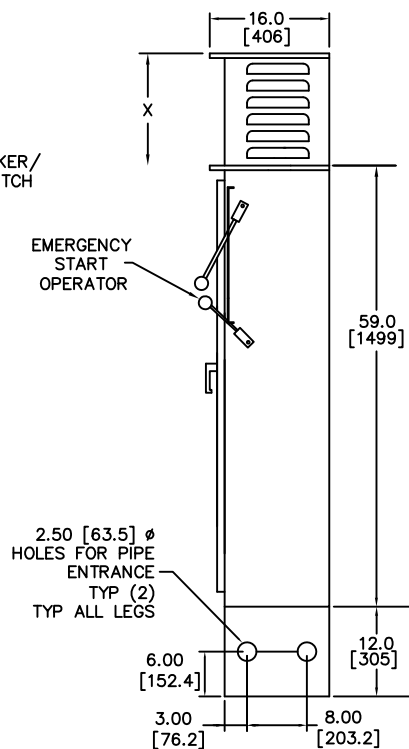


Hubbell Industrial Controls, Inc. • 4301 Cheyenne Dr., Archdale, NC 27263  
PH: 336-434-2800 • FAX: 336-434-2801 • Email: [salesmail@metroninc.com](mailto:salesmail@metroninc.com)





FRONT VIEW



SIDE VIEW

PRESSURE CONNECTION  
1/2" N.P.T - FEMALE

.50 [12] DIA.  
MOUNTING HOLES

DRAIN

11.01 [279.8]

4.18 [106.2]

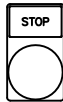
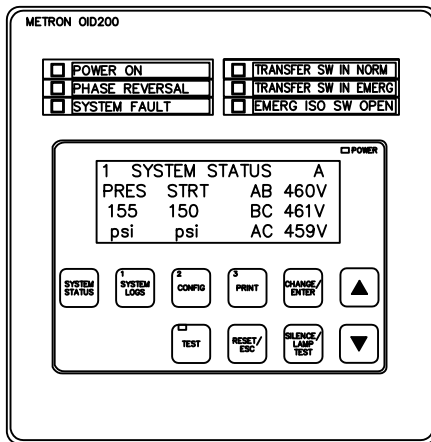
62.0 [1575]

64.0 [1626]

11.5 [292]

BOTTOM VIEW

PILOT DEVICE DETAIL



LOCATED ON  
TRANSFER SWITCH DOOR

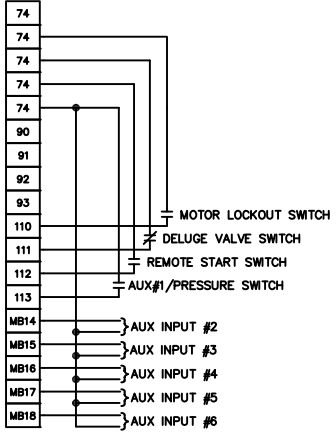
HORSEPOWER	"X" DIMENSION
15-100 HP.	15.0 [381]
125-150 HP.	21.0 [533]

NOTES:

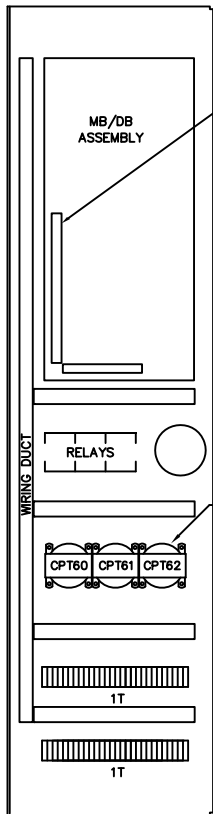
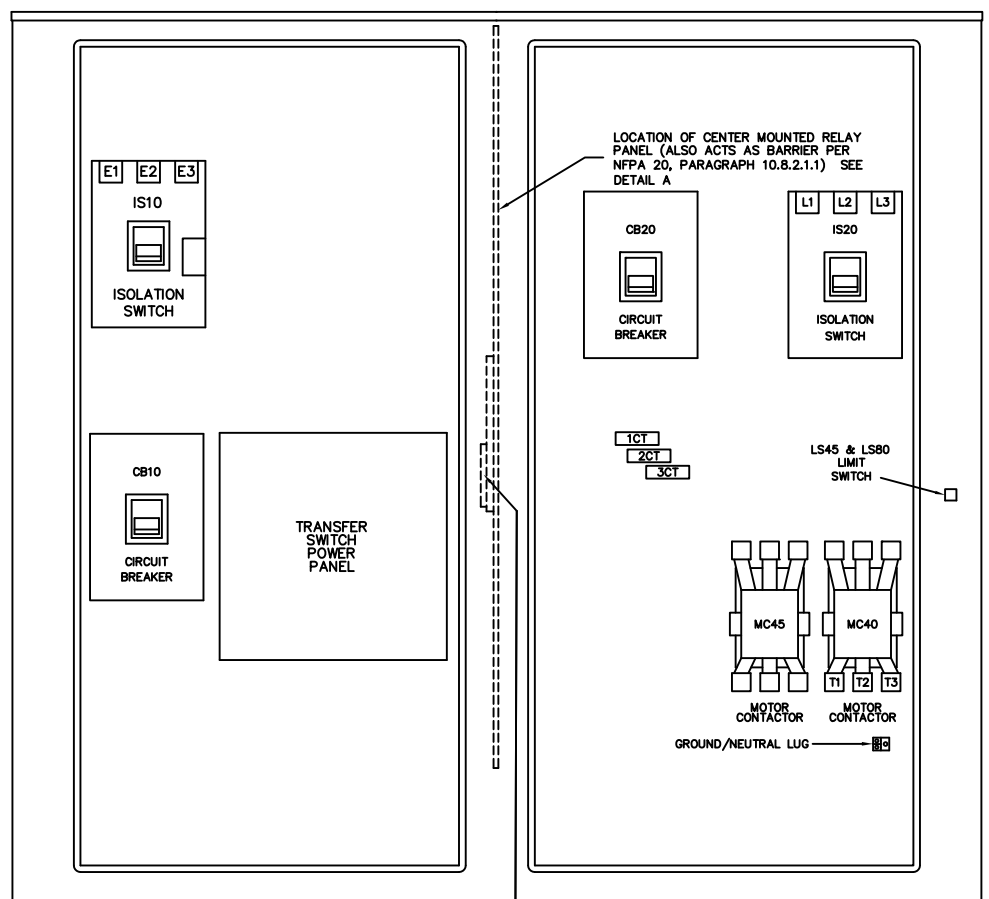
ALL DIMENSIONS IN INCHES  
AND MILLIMETERS ([ ])  
RESISTOR ENCLOSURE RATING  
TO BE A MAXIMUM TYPE 2.

DRAWN	/K	11-23-04	METRON A Division of: Hubbell ICD, Inc. 4301 Cheyenne Dr., Archdale, NC 27263
CHECK	RL	11-23-04	
APPD	77.7	11-23-04	
ENCLOSURE DIMENSIONS MODEL MP400 W/TRANSFER SWITCH 64" CABINET ELECTRIC FIRE PUMP CONTROLLER			OPTIONS: CD33807D SCALE N.T.S. SHEET 1 OF 1

1T\*  
FIELD  
TERMINALS



- DB54 } NO CONTACT, OPENS ON LOSS OF POWER
- DB53 } NC CONTACT, CLOSSES ON LOSS OF POWER
- DB52 }
- DB51 } NO CONTACT, CLOSSES ON PHASE REVERSAL
- DB50 } NC CONTACT, OPENS ON PHASE REVERSAL
- DB48 }
- DB48 } NO CONTACT, CLOSSES ON PUMP RUNNING
- DB47 } NC CONTACT, OPENS ON PUMP RUNNING
- DB46 }
- DB45 } NO CONTACT, OPENS ON CONTROLLER NOT IN AUTO
- DB44 } NC CONTACT, CLOSSES ON CONTROLLER NOT IN AUTO
- DB43 }
- DB42 }
- DB41 }
- DB40 }
- DB38 } NO CONTACT, CLOSSES ON EMERG. ISO SW/CB OPEN
- DB38 } NC CONTACT, OPENS ON EMERG. ISO SW/CB OPEN
- DB37 }
- DB36 }
- DB35 }
- DB34 }
- DB33 } NO CONTACT, CLOSSES ON AUX #4 ALARM
- DB32 } NC CONTACT, OPENS ON AUX #4 ALARM
- DB31 }
- DB30 } NO CONTACT, CLOSSES ON AUX #5 ALARM
- DB29 } NC CONTACT, OPENS ON AUX #5 ALARM
- DB28 }
- DB27 } NO CONTACT, CLOSSES ON AUX #6 ALARM
- DB26 } NC CONTACT, OPENS ON AUX #6 ALARM
- DB25 }
- DB24 } NO CONTACT, CLOSSES ON AUX #7 ALARM
- DB23 } NC CONTACT, OPENS ON AUX #7 ALARM
- DB22 }
- DB21 } NO CONTACT, CLOSSES ON AUX #8 ALARM
- DB20 } NC CONTACT, OPENS ON AUX #8 ALARM
- DB19 }
- DB18 } NO CONTACT, CLOSSES ON AUX #9 ALARM
- DB17 } NC CONTACT, OPENS ON AUX #9 ALARM
- DB16 }



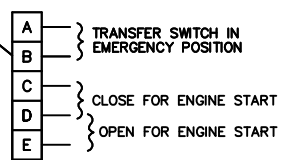
DETAIL A  
CENTER MOUNTED  
RELAY PANEL

DAUGHTERBOARD  
TERMINALS

NOTES:

1. FIELD TERMINALS ACCEPT COPPER WIRE ONLY RATED 90°C OR HIGHER
2. FIELD TERMINALS ARE LOCATED AT THE LEFT SIDE AND BOTTOM OF OF THE DAUGHTER BOARD

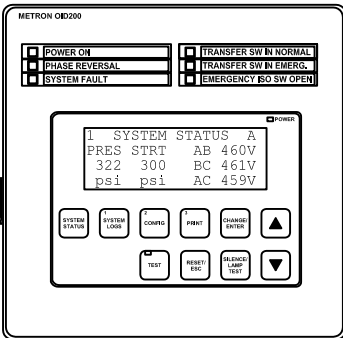
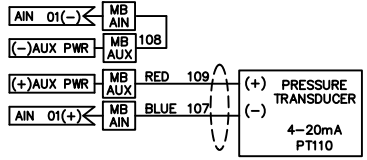
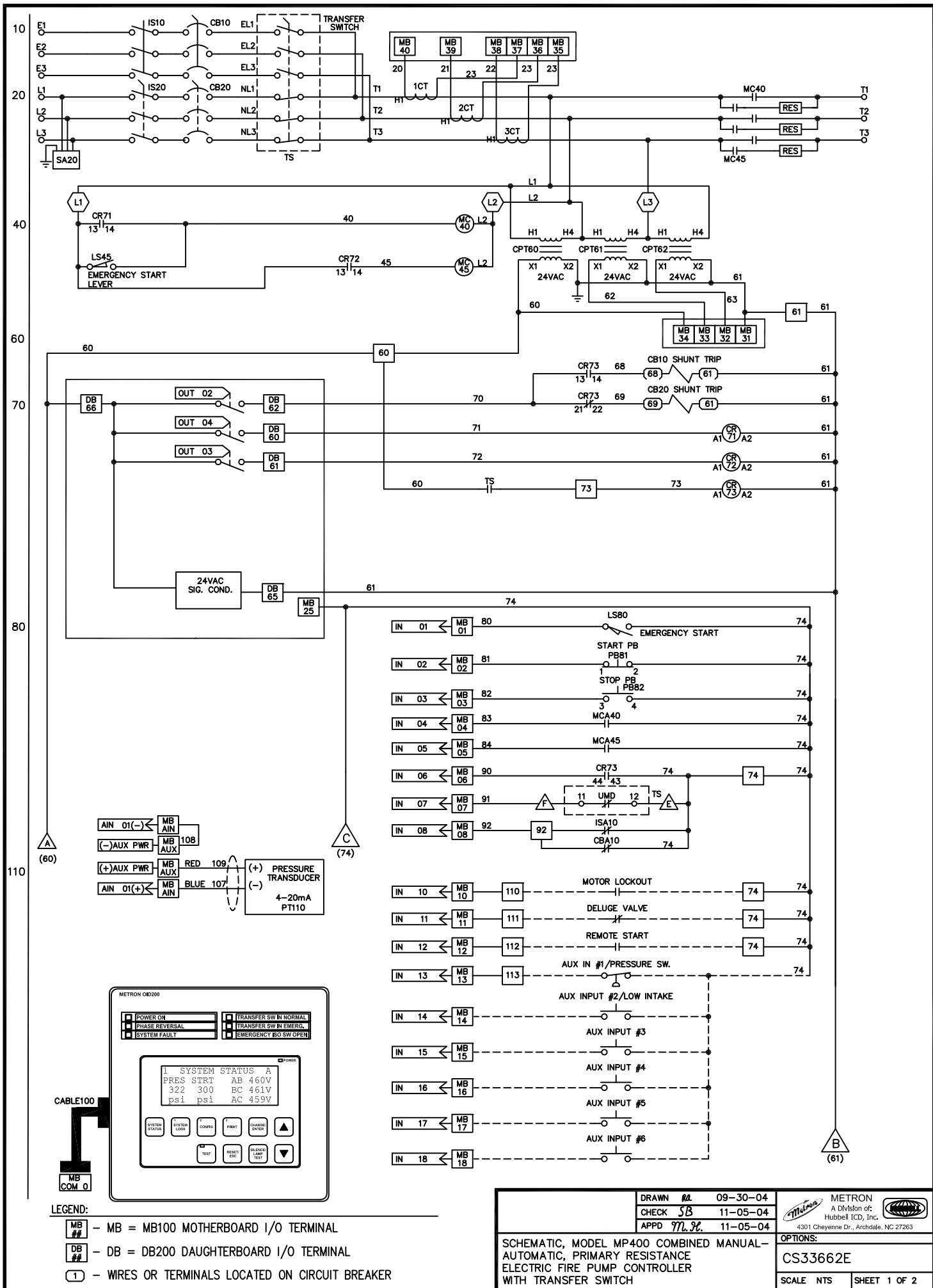
DB30 INDICATES DAUGHTERBOARD TERMINAL



	VOLTS AC					PRIMARY WIRE SIZE	
	200V	208V	220V - 240V	380V - 415V	440V - 480V	LINE TERMINAL WIRE SIZE PER PHASE	SERVICE ENTRANCE GROUND LUG WIRE SIZE
MAXIMUM MOTOR HORSEPOWER	25 HP	25 HP	30 HP	50 HP	60 HP	#14-1/0 AWG	(2) #10-1/0 AWG
	40 HP	40 HP	50 HP	75 HP	100 HP	#4-4/0 AWG	(2) #10-1/0 AWG
	60 HP	75 HP	75 HP	125 HP	150 HP	#4-350 MCM	(2) #10-1/0 AWG
	100 HP	125 HP	125 HP	150 HP		(2) #3/0-2500 MCM	(2) #10-1/0 AWG
	150 HP	150 HP	150 HP			(2) #3/0-350 MCM	(2) #6-250 MCM

DRAWN	RA	11/09/04	 METRON A Division of Hubbell ICD, Inc. 4301 Cheyenne Dr., Archdale, NC 27263
CHECK	SB	11/30/04	
APPD	M.L.	12/02/04	
INTERNAL LAYOUT & EXTERNAL HOOKUP MODEL MP400-PRIMARY RESISTANCE START WITH AUTOMATIC TRANSFER SWITCH ELECTRIC FIRE PUMP CONTROLLER			OPTIONS: <b>CH33709F</b> SCALE NTS    SHEET 1 OF 1

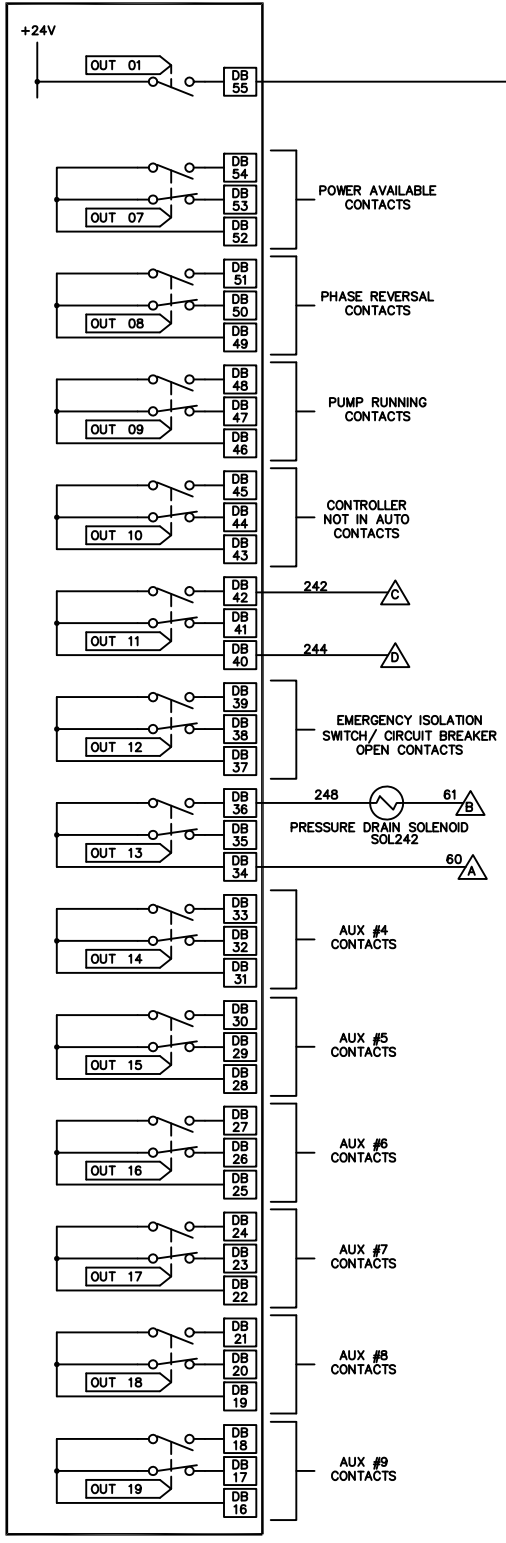




- LEGEND:
- MB ## - MB = MB100 MOTHERBOARD I/O TERMINAL
  - DB ## - DB = DB200 DAUGHTERBOARD I/O TERMINAL
  - (1) - WIRES OR TERMINALS LOCATED ON CIRCUIT BREAKER

DRAWN	BA	09-30-04	 METRON A Division of Hubbell ICD, Inc. 4301 Cheyenne Dr., Archdale, NC 27263
CHECK	SB	11-05-04	
APPD	M.L.P.	11-05-04	
SCHEMATIC, MODEL MP400 COMBINED MANUAL-AUTOMATIC, PRIMARY RESISTANCE ELECTRIC FIRE PUMP CONTROLLER WITH TRANSFER SWITCH			OPTIONS: <b>CS33662E</b>
SCALE NTS			SHEET 1 OF 2

200  
230  
240  
250  
260  
270



SYSTEM  
-VDC PWR  
(74)  
C

225  
HORN225

74

242  
244

248  
61 B  
60 A

DRAWN *RL* 09-30-04  
CHECK *SB* 11-05-04  
APPD *M.G.* 11-05-04

METRON  
A Division of:  
Hubbell ICD, Inc.  
4301 Cheyenne Dr., Archdale, NC 27263

SCHEMATIC, MODEL MP400 COMBINED MANUAL-AUTOMATIC, PRIMARY RESISTANCE ELECTRIC FIRE PUMP CONTROLLER WITH TRANSFER SWITCH

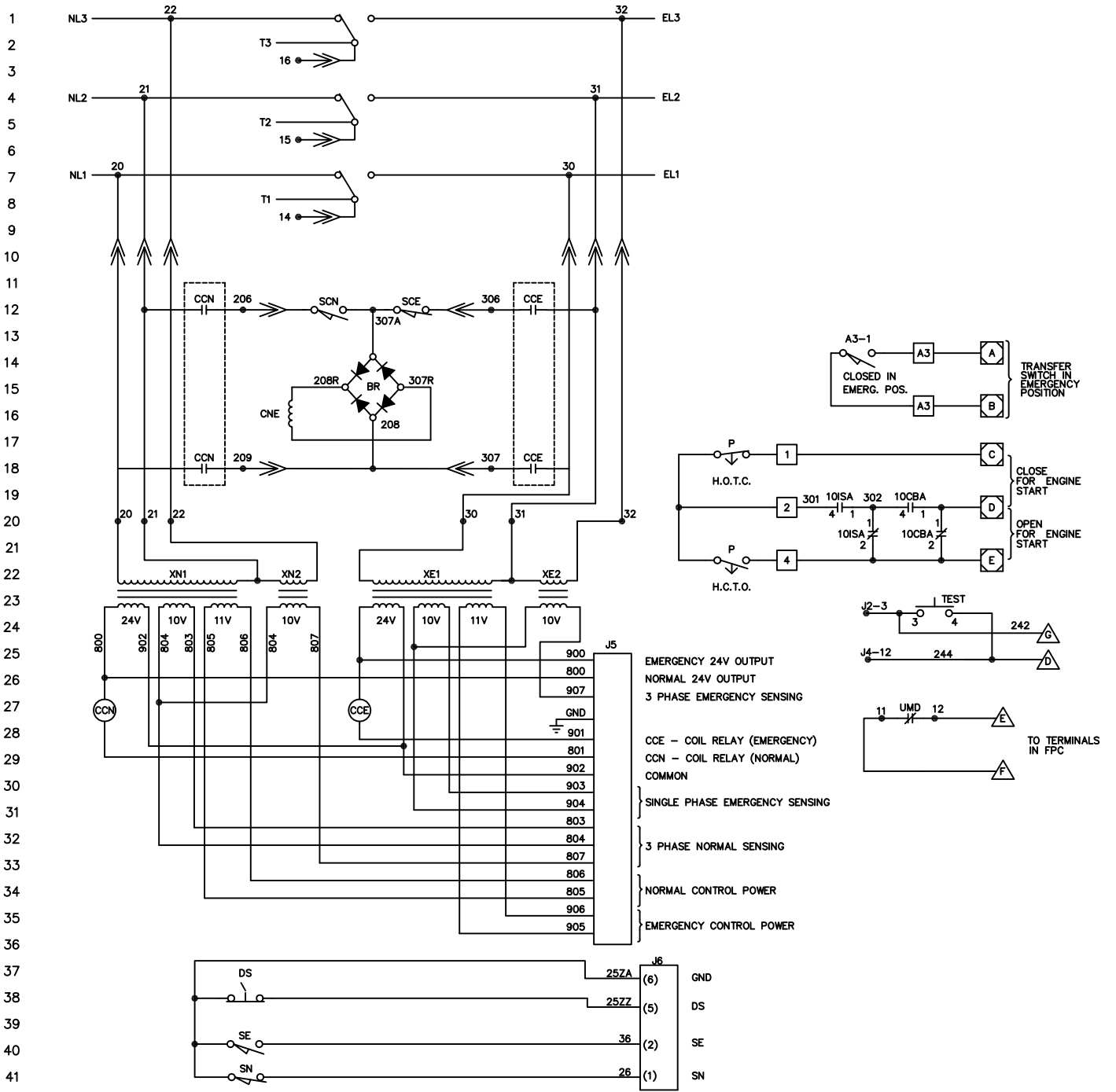
OPTIONS:  
CS33662E  
SCALE NTS SHEET 2 OF 2

COMPONENT	FUNCTION	LOCATION	CONTACTS
A3-1	LIMIT SWITCH EMERGENCY POS.		14
A4-1	LIMIT SWITCH NORMAL POS.		35
BR	BRIDGE RECTIFIER		15
CNE	TRANSFER SOLENOID	16	1,4,7
CCN	CONTROL COIL RELAY (NORM)	27	12,18
CCE	CONTROL COIL RELAY (EMERG)	27	12,18
DS	ON-OFF SELECTOR SWITCH		38
P	ENG. START RELAY		18,21
R1	MOTOR DISC NORMAL	15	28
R2	MOTOR DISC EMERGENCY	28	30
RT	TIMER T BYPASS RELAY	27	13
SCE	LIMIT SWITCH EMERGENCY		12
SCN	LIMIT SWITCH NORMAL		12
XE1	CONTROL TRANS., EMERGENCY	23	
XN1,2	CONTROL TRANS., NORMAL	23	

NOTES:

- EMERGENCY ISOLATION SWITCH AUXILIARY CONTACTS SHOWN WITH ISOLATION SWITCH IN OPEN POSITION.
- CONTACTS R1 OR R2 OPEN 5 SECONDS PRIOR TO TRANSFER IN EITHER DIRECTION.
- CONTACT 25-25B "RETURN INHIBIT" CAN BE USED TO PREVENT RETRANSFER TO NORMAL UNTIL CONTACT CLOSES.
- DEVICE WITHIN DASHED AREAS ARE LOCATED ACCORDING TO THE FOLLOWING DESIGNATIONS:  
C-CONTROL PANEL, F-CABINET FRONT, P-POWER PANEL
- SEE FIRE PUMP CONTROLLER CONTROL SCHEMATIC IN RIGHT DOOR.
- △ DENOTES MATCH POINT ON FIRE PUMP CONTROLLER SCHEMATIC LOCATED IN RIGHT DOOR.
- ISOLATION SWITCH NOT USED ON MODEL MP30 CONTROLLERS

10ISA ISOLATION SWITCH AUXILIARY (SEE NOTE 7) 19,20  
10CBA CIRCUIT BREAKER AUXILIARY 19,20

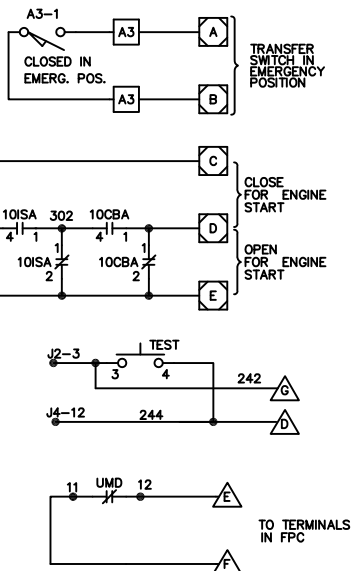


EMERGENCY 24V OUTPUT  
NORMAL 24V OUTPUT  
3 PHASE EMERGENCY SENSING

CCE - COIL RELAY (EMERGENCY)  
CCN - COIL RELAY (NORMAL)  
COMMON

SINGLE PHASE EMERGENCY SENSING  
3 PHASE NORMAL SENSING

NORMAL CONTROL POWER  
EMERGENCY CONTROL POWER



DRAWN	RA	10-20-03	 METRON A Division of Hubbell ICD, Inc. 4301 Cheyenne Dr., Archdale, NC 27263
CHECK	RA	12-05-03	
APPD	M.K.	12-05-03	
SCHEMATIC, THREE PHASE ZENITH TRANSFER SWITCH FOR ELECTRIC FIRE PUMP CONTROLLERS			OPTIONS: CS33591C
SCALE			SHEET